

ext.Adapter
access for solder cables

reserved1	2	VCC
P60	3	4 PERMA
P61	5	6 AGND
P62	7	8 VREF
P63	9	10 AN3
P64	11	12 AN2
P65	13	14 AN1
P66	15	16 AN0
P67	17	18 ALARM
P70	19	20 PC
P71	21	22
P72	23	24
P73	25	26 P37
P80	27	28 P36
P81	29	30 P35
P82	31	32 P34
P83	33	34 P33
P84	35	36 RT0
P85	37	38 RX1
P86	39	40 TX1
P87	41	42 CT0
RES	43	44 RX0
GND	45	46 TX0

IDC46

bus bridge to LCD, kbd, 64-I/O

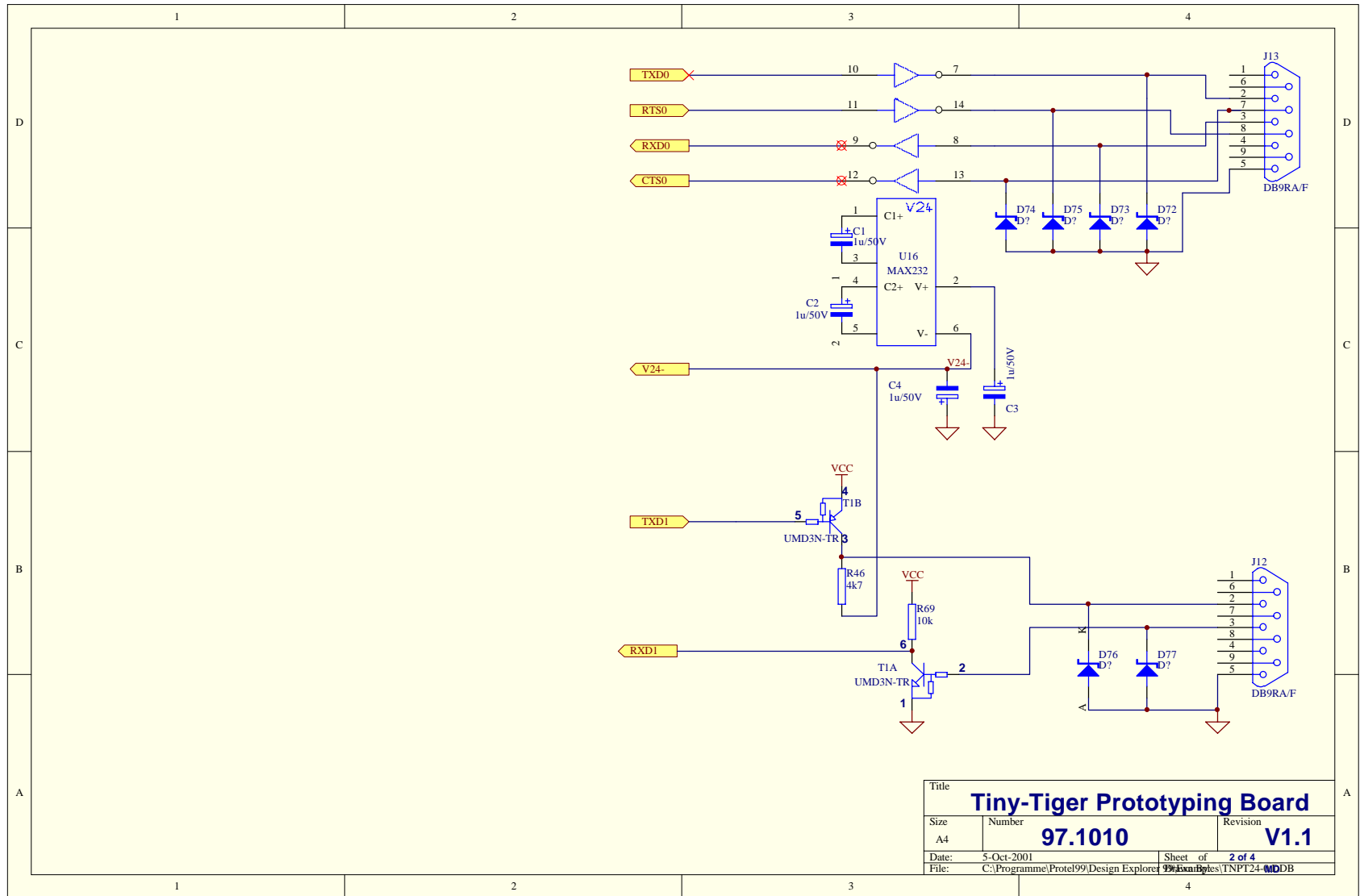
d0	1	2	P60
d1	3	4	P61
d2	5	6	P62
d3	7	8	P63
d4	9	10	P64
d5	11	12	P65
d6	13	14	P66
d7	15	16	P67
ack	17	18	P33
clk	19	20	P34
ine	21	22	P35
E	23	24	P36
RS	25	26	P37

IDC26

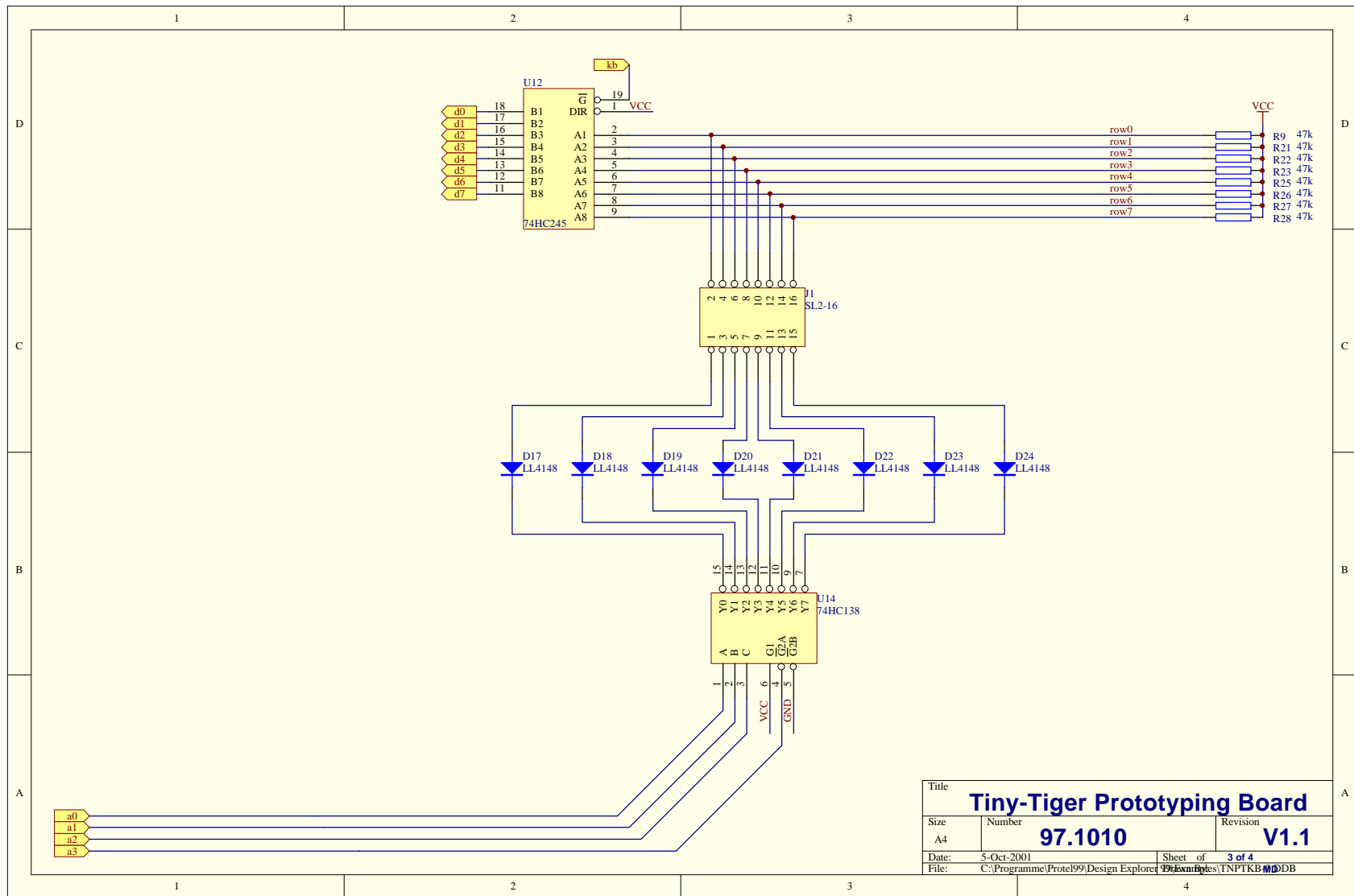
U2
74HC377

GND	1	2	A0
ack	11	5	A1
		6	A2
d0	3	1Q	40
d1	4	2Q	40
d2	7	3Q	5Q
d3	8	4Q	6Q
d4	13	5Q	7Q
d5	14	6Q	8Q
d6	17	7Q	19
d7	18	8Q	19

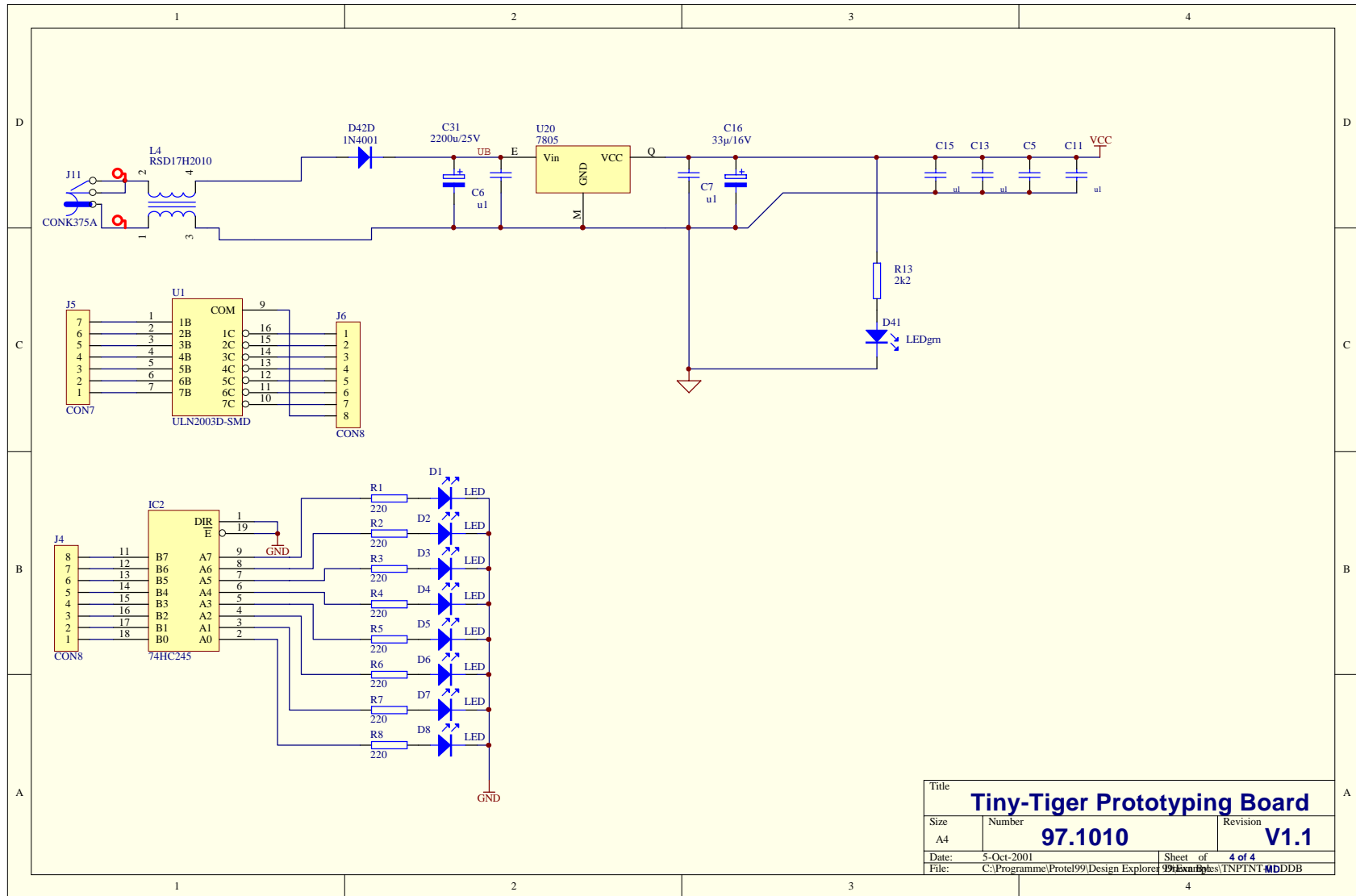
Title		
Tiny-Tiger Prototyping Board		
Size	Number	Revision
A4	97.1010	V1.1
Date:	16-Oct-2001	Sheet of 1 of 4
File:	C:\temp\TNPT-04.DDB	Drawn By: MD



Title		
Tiny-Tiger Prototyping Board		
Size	Number	Revision
A4	97.1010	V1.1
Date:	5-Oct-2001	Sheet of 2 of 4
File:	C:\Programme\Protel99\Design Explorer\97.1010\TinyTiger\TNPFT24.MDB	



Title		
Tiny-Tiger Prototyping Board		
Size	Number	Revision
A4	97.1010	V1.1
Date:	5-Oct-2001	Sheet of 3 of 4
File:	C:\Programme\Prote99\Design Explorer\97.1010\Files\TNP\TKB.MDD	



Title		
Tiny-Tiger Prototyping Board		
Size	Number	Revision
A4	97.1010	V1.1
Date:	5-Oct-2001	Sheet of 4 of 4
File:	C:\Programme\Protel99\Design Explorer\97.1010\TINYTIG.DDB	