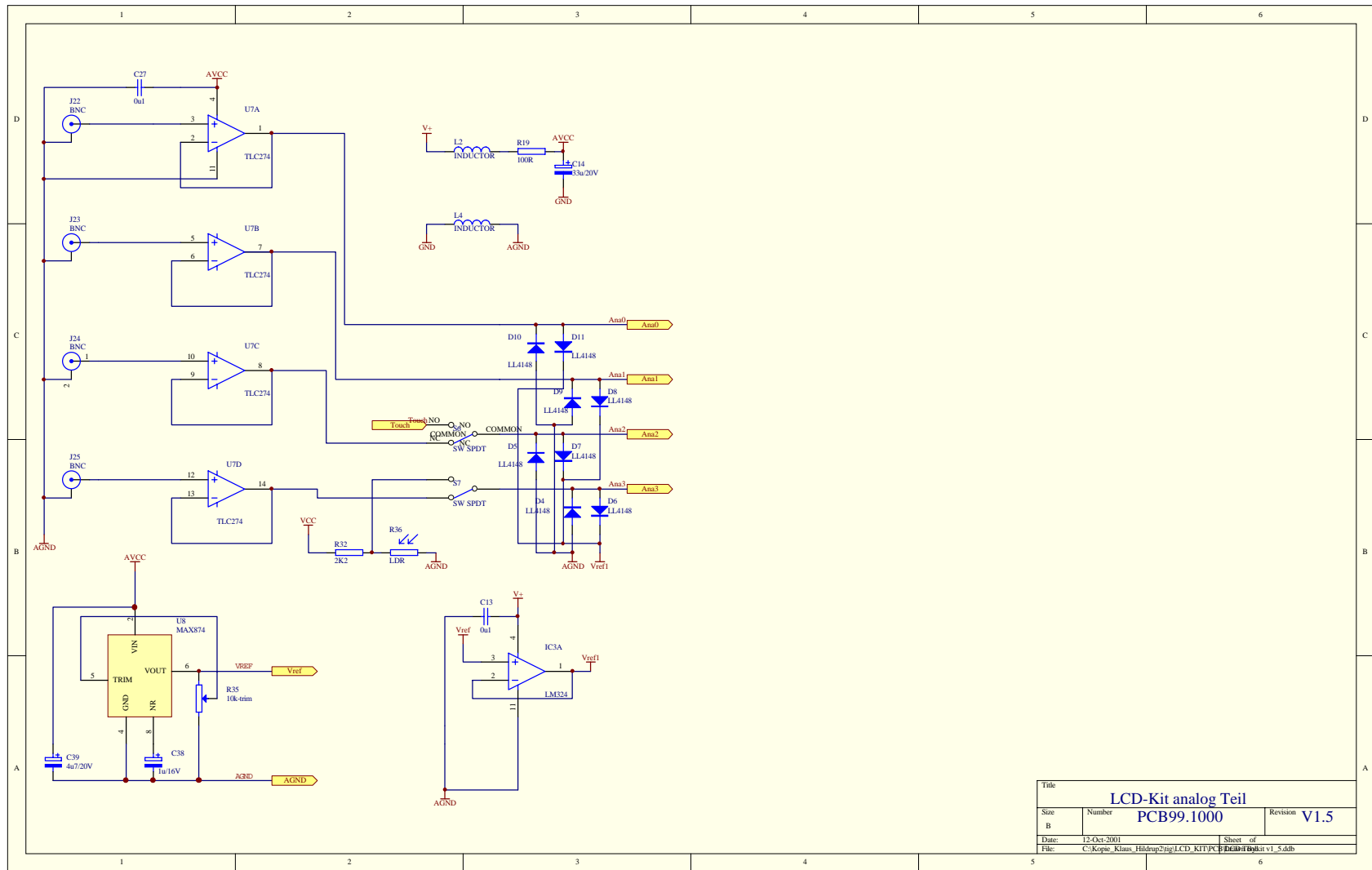
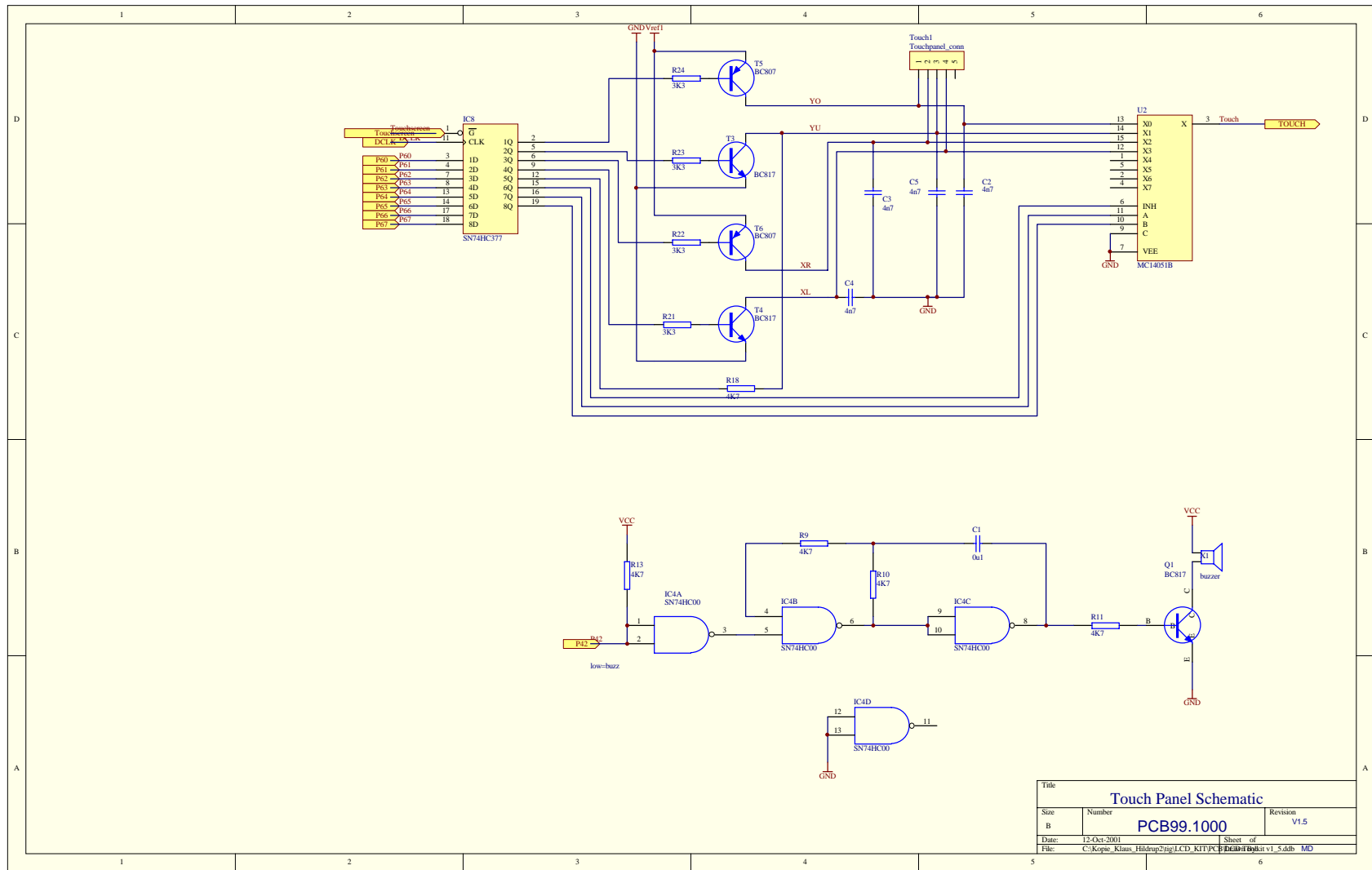


Title		
Tiger LCD-Kit		
Size	Number	Revision
A4	99.1000	V1.5
Date:	12-Oct-2001	Sheet of 4 of 4
File:	C:\Kopie_Klaus_Hildrup2\tigLCD_KIT	File: TigLCD-Kit.v1.5.sch

© 1998 Wilke Technology



Title			LCD-Kit analog Teil		
Size	Number	Revision		V1.5	
B	PCB99.1000				
Date:	12-Oct-2001	Sheet of			
File:	C:\Kopie_Klaus_Hilfep2\ngLCD_KIT\PCB\PCB99.1000.dwg				



Title		
Touch Panel Schematic		
Size	Number	Revision
B	PCB99.1000	V1.5
Date:	12-Oct-2001	Sheet of
File:	C:\Kopie_Klaus_Hilfdrup\2mgLCD_KITPCB\PCB99.1000.dwg v1.5.dwg MD	